

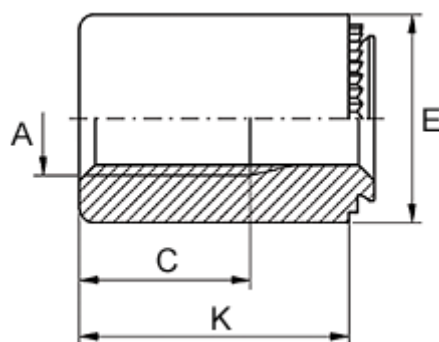
# Data Sheet



Article number: 12510800250500  
Description: KLEE-coil 510 800 250.500  
M5 Stainless 1.4305

## Measures

---



|                                 |              |
|---------------------------------|--------------|
| Female thread A                 | = M5         |
| Height K                        | = 10         |
| Min distance to edge            | = 4.0        |
| Outer diameter E                | = 9          |
| Plate thickness                 | = 1.5 to 2.3 |
| Recommended bore diameter +0.05 | = 6.00       |
| Thread length                   | = 8.0        |